

F 230SE.22

use and maintenance

This instructions manual describes the FASSI CRANE F 230SE.22.

It contains, further to the principal safety norms, a description of the crane and the maintenance and use instructions.

To assure a long life of the crane it is necessary to meticulously follow the instructions.

General lubrication and small repairs can be carried out by the user; repairs of more consistency have to be carried out by authorized service personnel.

Original Fassi replacement parts must be used.

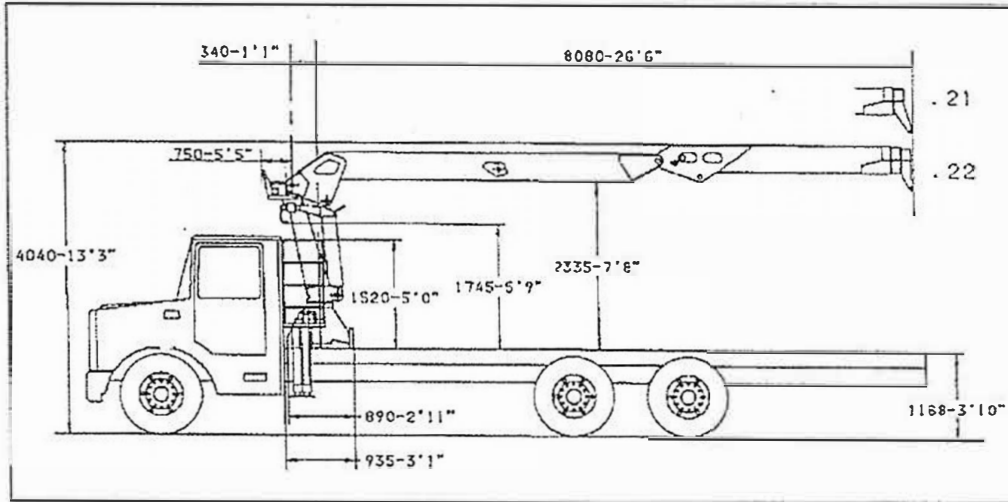
FASSI GRU IDRAULICHE reserves the right to modify without notice the characteristics and options of the crane.

THANK YOU FOR SELECTING ONE OF OUR CRANES

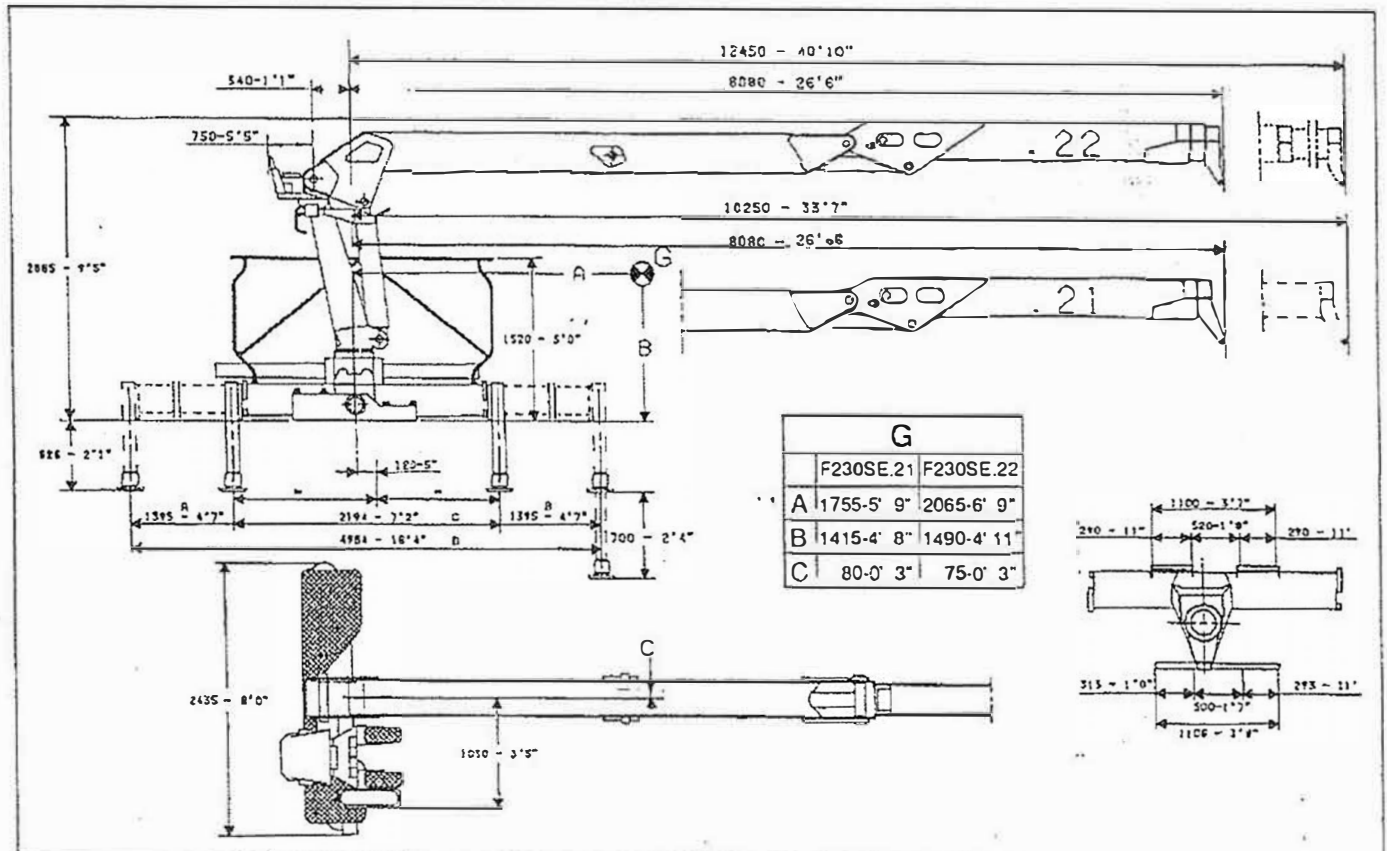
TECHNICAL DATA

The design of this crane has been carried out in the respect of DIN 15018 norms, class of utilisation H1B3.

- (!) The crane can operate, in intermittent operation, with lifting devices different from the hook. The dimension and the capacity of the implements must be proportioned with crane performances.



F 230SE
FRSSI CO1239



PESO GRU CON SERBATOIO NON RIFORNITO. STABILIZZAZIONE STANDARD	.21 kg 3.230 - lbs 7.120
POIDS DE LA GRUE AVEC RESERVOIR VIDE. STABILISATION STANDARD	.22 kg 3.430 - lbs 7.560
WEIGHT OF THE CRANE WITH EMPTY TANK. STANDARD STABILIZATION	
KRANGEWICHT MIT LEEREM TANK UND STANDARDABSTUETZUNGEN	

F 230SE